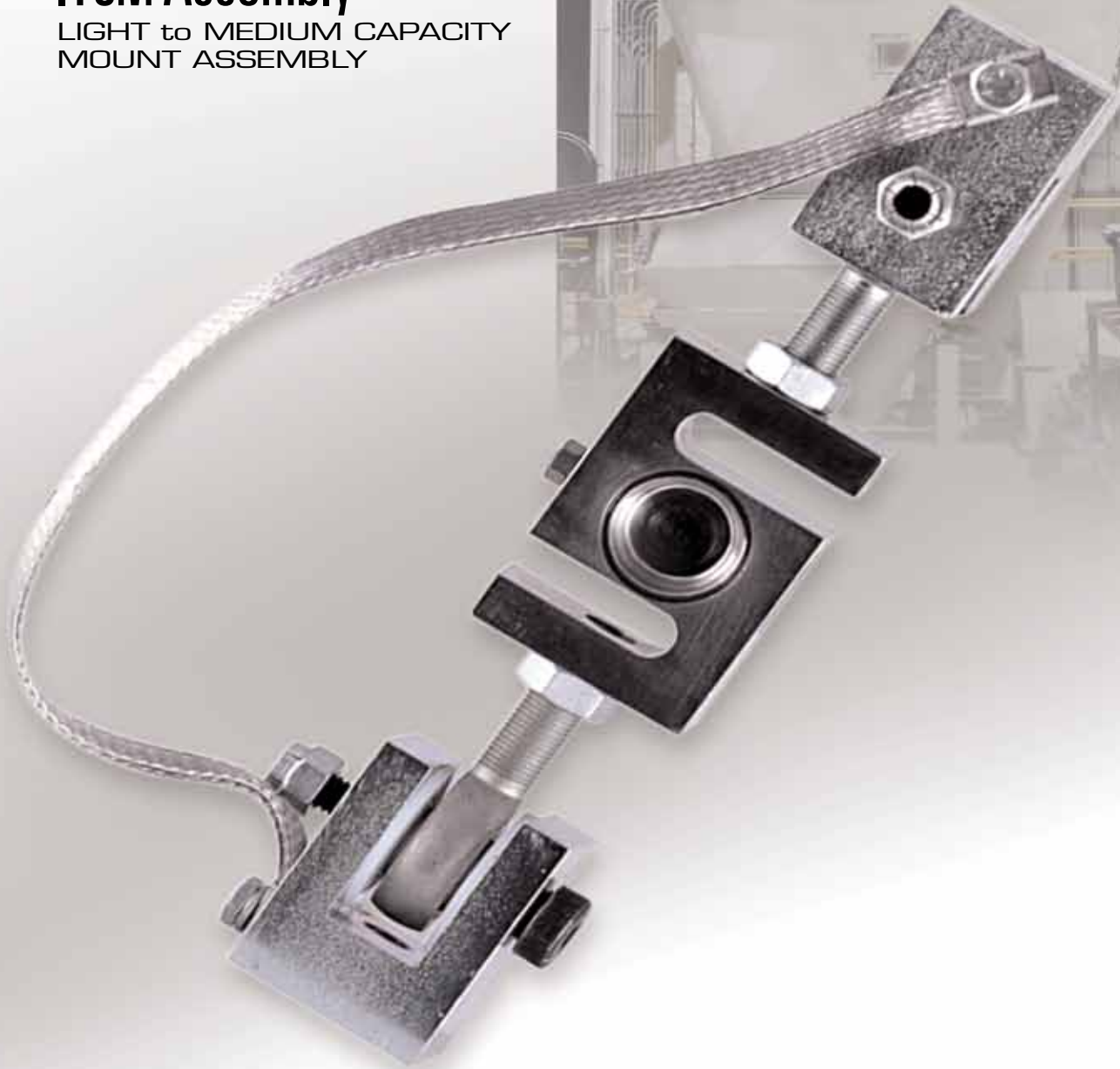


# ITCM Assembly

LIGHT to MEDIUM CAPACITY  
MOUNT ASSEMBLY



**RICE LAKE**<sup>®</sup>  
WEIGHING SYSTEMS

To be the best by every measure<sup>®</sup>



Jamieson Equipment Company  
[www.jamiesonequipment.com](http://www.jamiesonequipment.com)  
toll free 800.875.0280



# LIGHT to MEDIUM CAPACITY MOUNT ASSEMBLY

The ITCM Series Mounting Assembly provides unmatched performance in a variety of light- to medium-capacity vessel weighing applications and mechanical scale conversions. Featuring clevis and unique rod end ball joint assemblies, overall length is reduced to half of traditional S-beam tension mounts, while providing correct load alignment.

In addition, the ITCM completely electrically isolates\* the load cell from stray currents, a major cause of load cell failure. PTFE-lined rod end ball joints, nylon insulating washers and a grounding strap connecting the two clevis assemblies complete the electronic isolation package. Capacities available range from 100 lb to 20,000 lb.

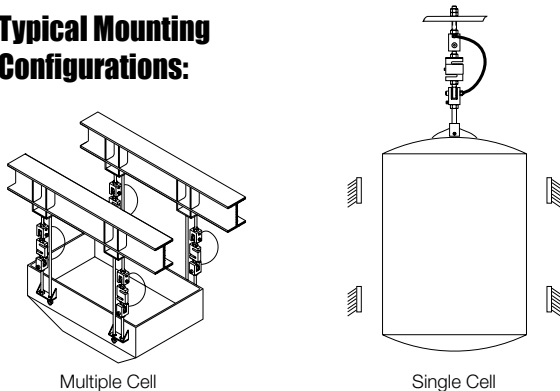
### Standard Features:

- Capacities per assembly: 100 lb-20,000 lb
- NTEP-certified RL20000 S-Beam load cell provides superior accuracy
- Clevis mounts with nylon insulating washers further isolate the load cell electrically
- PTFE-lined rod end ball joints enhance movement for greater tolerance of eccentric loads\*
- Load cell is completely isolated from stray currents minimizing electrical failures\*
- Grounding strap provides alternative path to ground
- Provides correct loading even in difficult installations
- Lower overall length compared to other hardware assemblies

### Options:

- Complete kit including mounts, load cells, NEMA 4X stainless steel junction box and load cell cable
- Assembly, less load cell
- Stainless steel load cells and hardware
- Stainless steel hermetically sealed load cells and hardware

### Typical Mounting Configurations:

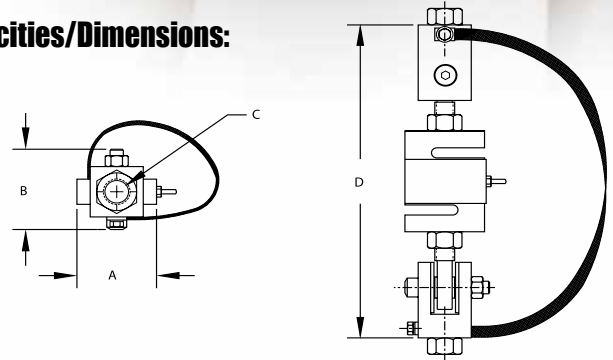


**IMPORTANT:** Always use safety chains or rods to protect tension-mounted vessels.

\* PTFE lining and isolation not available on 20,000 lb.

Your Rice Lake Weighing Systems distributor is:

### Capacities/Dimensions:



Load Cell Capacity	A	B	C	D
	Dimensions - Inches (mm)			
100 lb (45.4kg)	2.00 (50.8)	1.81 (46.0)	3/8-16 NC	7.00 (177.8)
100 lb (45.4kg)	2.00 (50.8)	1.81 (46.0)	1/2-13 NC	7.00 (177.8)
150 lb (68.0kg)	2.00 (50.8)	1.81 (46.0)	3/8-16 NC	7.00 (177.8)
150 lb (68.0kg)	2.00 (50.8)	1.81 (46.0)	1/2-13 NC	7.00 (177.8)
200 lb (90.7kg)	2.00 (50.8)	1.81 (46.0)	3/8-16 NC	7.00 (177.8)
200 lb (90.7kg)	2.00 (50.8)	1.81 (46.0)	1/2-13 NC	7.00 (177.8)
250 lb (113.4kg)	2.00 (50.8)	1.81 (46.0)	3/8-16 NC	7.00 (177.8)
250 lb (113.4kg)	2.00 (50.8)	1.81 (46.0)	1/2-13 NC	7.00 (177.8)
500 lb (226.8kg)	2.68 (68.1)	2.68 (68.1)	1/2-13 NC	9.50 (241.3)
500 lb (226.8kg)	2.68 (68.1)	2.68 (68.1)	5/8-11 NC	9.50 (241.3)
500 lb (226.8kg)	2.68 (68.1)	2.68 (68.1)	3/4-10 NC	9.50 (241.3)
750 lb (340.2kg)	2.68 (68.1)	2.68 (68.1)	1/2-13 NC	9.50 (241.3)
750 lb (340.2kg)	2.68 (68.1)	2.68 (68.1)	5/8-11 NC	9.50 (241.3)
750 lb (340.2kg)	2.68 (68.1)	2.68 (68.1)	3/4-10 NC	9.50 (241.3)
1000 lb (453.6kg)	2.68 (68.1)	2.68 (68.1)	1/2-13 NC	9.50 (241.3)
1000 lb (453.6kg)	2.68 (68.1)	2.68 (68.1)	5/8-11 NC	9.50 (241.3)
1000 lb (453.6kg)	2.68 (68.1)	2.68 (68.1)	3/4-10 NC	9.50 (241.3)
1500 lb (680.4kg)	2.68 (68.1)	2.68 (68.1)	1/2-13 NC	9.50 (241.3)
1500 lb (680.4kg)	2.68 (68.1)	2.68 (68.1)	5/8-11 NC	9.50 (241.3)
1500 lb (680.4kg)	2.68 (68.1)	2.68 (68.1)	3/4-10 NC	9.50 (241.3)
2000 lb (907.2kg)	2.68 (68.1)	2.68 (68.1)	1/2-13 NC	9.50 (241.3)
2000 lb (907.2kg)	2.68 (68.1)	2.68 (68.1)	5/8-11 NC	9.50 (241.3)
2000 lb (907.2kg)	2.68 (68.1)	2.68 (68.1)	3/4-10 NC	9.50 (241.3)
2500 lb (1134.0kg)	2.68 (68.1)	2.68 (68.1)	5/8-11 NC	9.50 (241.3)
2500 lb (1134.0kg)	2.68 (68.1)	2.68 (68.1)	3/4-10 NC	9.50 (241.3)
3000 lb (1360.8kg)	3.37 (85.6)	3.37 (85.6)	3/4-10 NC	12.25 (311.2)
5000 lb (2268.0kg)	3.37 (85.6)	3.37 (85.6)	3/4-10 NC	12.25 (311.2)
5000 lb (2268.0kg)	3.37 (85.6)	3.37 (85.6)	1-8 NC	12.25 (311.2)
10,000 lb (4535.9kg)	3.37 (85.6)	3.37 (85.6)	1-8 NC	12.25 (311.2)
15,000 lb (6803.9kg)	4.00 (101.6)	4.12 (104.6)	11/4-7 NC	18.00 (457.2)
20,000 lb (9071.9kg)	5.00 (127.0)	4.12 (104.6)	11/2-6 NC	20.00 (508.0)

